

# FILTERS



## “SANDIA” HZC Series Horizontal Laminated Hi-Rate Sand Filters Without Multiport Valves

SANDIA filters are suitable for removing suspended dirt particles from water at high speed efficiently and economically, in both fresh and salt water conditions. Sandia filters are constructed from totally corrosion resistant materials to ensure trouble free running and prolonged life. Each filter is rigorously pressure tested to the highest standards and certified as correct prior leaving the factory



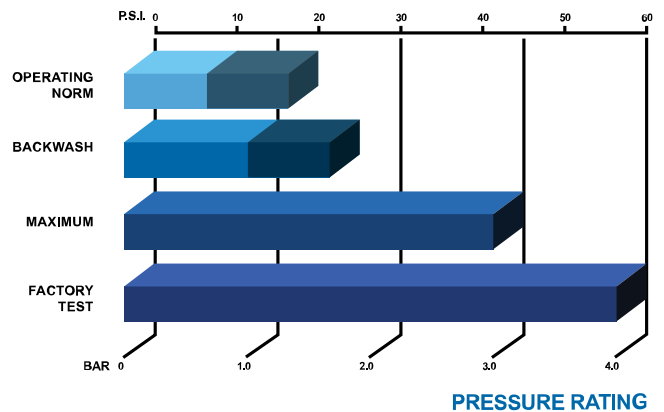
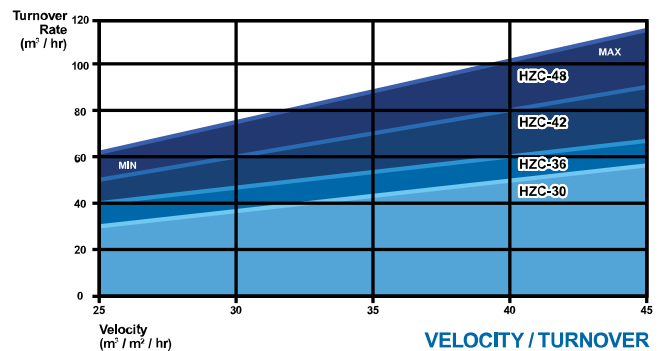
### THE SPAVE SAVING HIGH PERFORMANCE

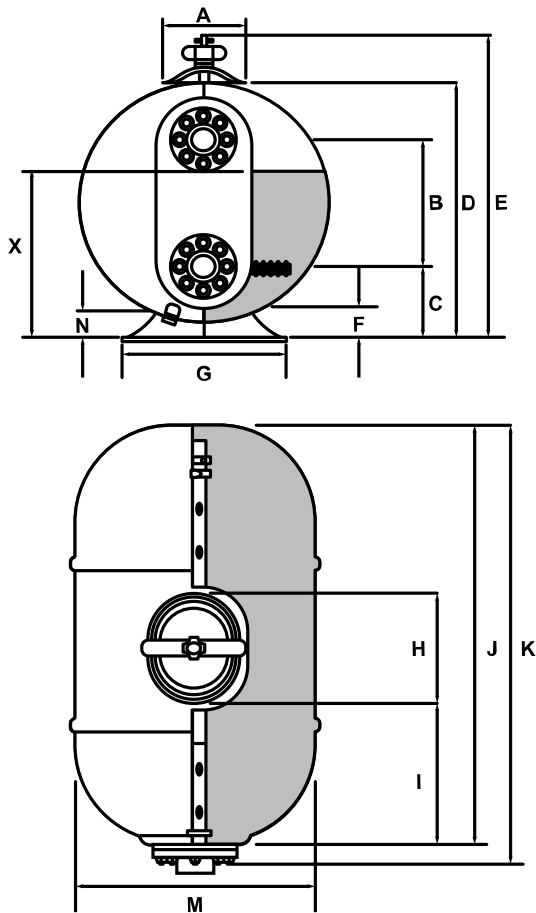
If the budget didn't leave the finance for a ballroom, as a plant room, SANDIA have a perfect answer. Unlike conventional circular filter designs – SANDIA produces commercial filters with a difference (oval). As you can see by the illustrations opposite, the SANDIA 42” HORIZONTAL filter can be installed with the minimum of wasted space.

Not only will the plant room COST LESS to build (approximately 20%) but the pipework runs can also be kept down to a minimum, again saving money. This may also have the effect of making the operation of the equipment more efficient.

Furthermore conventional filters above the size of 1 meter diameter are usually designed to have a hemispherical style with profile. With this type of design the filter tank will require on average 30% more media than a SANDIA horizontal, to operate at optimum performance.

Finally the SANDIA Horizontal filter is only 1110 mm wide and will easily fit through most plant room doors. All round the SANDIA Horizontal is a winner saving your money and giving you total peace of mind.





**Product Dimensions (meter)**

Type	HZC-30	HZC-36	HZC-42	HZC-48
A	0.30	0.33	0.33	0.33
B	0.39	0.56	0.70	0.85
C	0.28	0.29	0.32	0.38
D	1.05	1.15	1.26	1.38
E	1.12	1.23	1.34	1.45
F	0.12	0.15	0.19	0.22
G	0.57	0.72	0.81	0.90
H	0.30	0.43	0.43	0.43
I	0.75	0.77	0.80	1.01
J	1.95	1.96	1.98	2.38
K	1.95	1.95	2.15	2.15
M	0.79	0.97	1.14	1.35
N	0.17	0.18	0.19	0.21
X	0.46	0.57	0.66	0.71

Code	Model	In&Outlet (inches)	Flowrate (gpm)	Flowrate (m <sup>3</sup> /h)	Height (cm)	Width (inches)	Length (cm)	Sand (50kgs/bag)	Zelbrite (15kgs/bag)	EcoClear (25kgs/bag)	
										Coare	Fine
20301900010	HZC-30*	4	205	56	111.50	31	195	15	38	7	16
20301900015	HZC-36*	4	246	67	122.50	38	195	19	48	9	20
20301900025	HZC-42*	4	330	90	133.50	45	215	24	60	12	24
20301900035	HZC-48*	5	414	113	145.00	53	215	32	80	16	32

\* สินค้าไม่มีสต็อก กรุณาสั่งซื้อล่วงหน้า / No Stock, Delivery Time : 7 - 14 Days