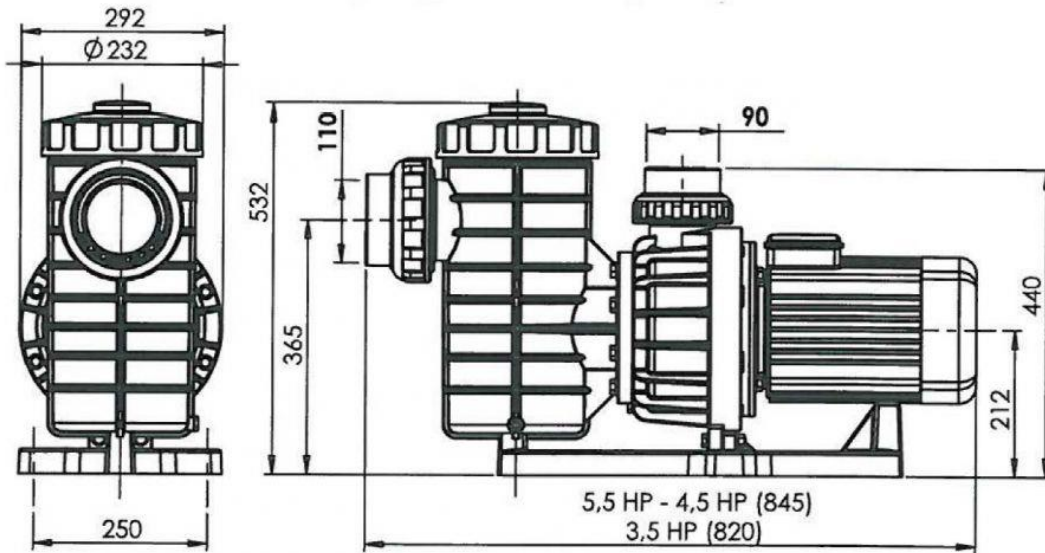


5PSP PUMP SERIES



Dimensions in mm

Speed	:2850 RPM
Suction and discharge	:110mm - 90mm
Operating Temperature	:5oC up to 50oC
Ambient Temperature (Max)	:40oC
Casing Pressure (Max)	:2.5BAR
Insulation Class	:F
Enclosure Rating	:IP54
Electrical Connection	:50Hz – 3ph -380V
Enclosure Rating	:IP54
Maximum pressure	:Casing Pressure (max) = 2.5 BAR
Motor Protection	:IP55 protected, IE2 compliant TEFC motor
Material of pump body	:PPC GF30
Material of pump o-ring	:EPDM
Material of Impeller and lid	:LEXAN
Material of Bolt and screw	:INOX 304
Material of Union connection	:U-PVC
Material of Mechanical seal	:SSIC (Cabon) / EPDM / SS-316

TABLE OF PIPE DIAMETERS ADVISED FORM MOUNTING TO INLET AND OUTLET

PUMP POWER	SUCTION LINE PIPE DIAMETER	DISCHARGE LINE PIPE DIAMETER
2850 RPM		
PUMP - PSP 3.5 HP	110 mm	90 mm
PUMP - PSP 4.5 HP	125 mm	110 mm
PUMP - PSP 5.5 HP	140 mm	110 mm
PUMP - PSP 7.5 HP	160 mm	125 mm
PUMP - PSP 10 HP	200 mm	160 mm

FLOW SPEED	Suction Line	V=1.50 m/sn
	Discharge Line	V=2.50 m/sn
	1.5% Sloping Line	V=0.75 m/sn
	Collector	V= 0.50 m/sn