



EQ SERIES* HIGH PERFORMANCE COMMERCIAL PUMP

FOR COMMERCIAL AND HIGH-END RESIDENTIAL SWIMMING POOLS AND OTHER WATER APPLICATIONS



EQ Series pumps are designed for maximum efficiency and quiet operation in every detail. They are the only non-corrosive, all plastic pumps designed for the commercial pool and water applications market.

The EQ Series pump impellers are manufactured for true breakthrough performance, allowing for lower loads and longer motor life. Available with and without the strainer pot. Available in flows to 800 GPM, and from 3 to 15 HP.

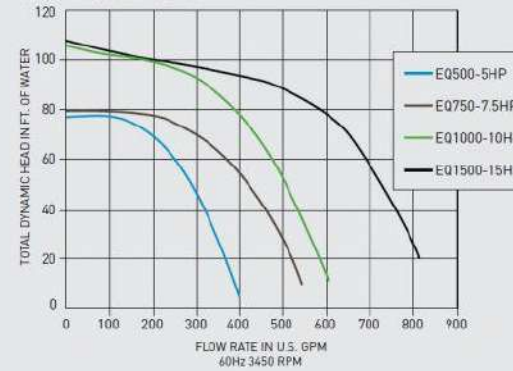
STANDARD FEATURES

- Close-coupled for quiet, stable flow operation.
- Lightweight for easy, one-man installation.
- Clear Dam and Ramp™ Lid for added service convenience.
- Available in single- and three-phase models, ODP. TEFC motor available three-phase only.
- Closed impeller for long life and durability.
- 6" suction and 4" discharge with strainer pot.
- Great for use with Acu Drive™ XS Variable Frequency Drives.
- Self-priming under NSF standards; NSF listed.

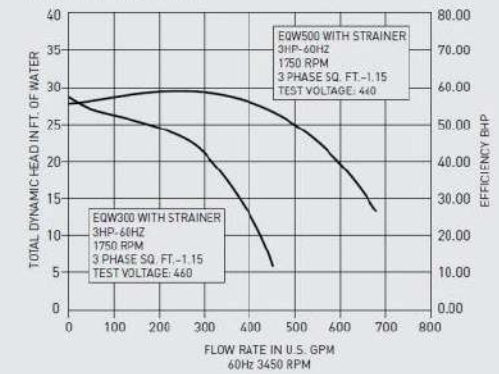
pentaircommercial.com

EQ SERIES* HIGH PERFORMANCE COMMERCIAL PUMP

EQ Series Commercial Pump Performance Curve



EQ Series WaterFall™ Pump Performance Curve



MATERIALS AND DESIGN

Pump Body

Volute type, back pull-out design.

- **Port Size**
6" – ANSI Rated 125 bolted flange suction port¹.
4" – ANSI Rated 125 bolted flange discharge port¹.
- **Material - Volute & Motor Adapter**
PPO Resin
- **Impeller**
PPO Resin
- **Base**
6061 aluminum design, slotted for mounting ease.
- **Corrosion Prevention**
All-plastic pump for maximum hydraulic performance and corrosion prevention.

Hair and Lint Strainer

- **Material**
Separate bolt-on PPO Resin body with plastic basket. Polycarbonate Resin Thermoplastic lid, and stainless steel bolts.
- **Size**
6" ANSI Rated 125 bolted flange suction and discharge ports.

Pump Maximum Limits

Liquid Temperature: 104° F
Ambient Air Temperature: 104° F

Motor

Standard JM type. Premium Efficient DDP Class F insulated. On TEFC options, JMZ type, Premium Efficient, Class F insulated.

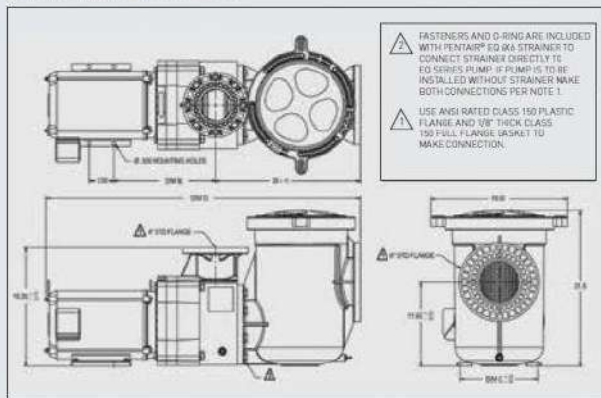
- **Frame Size**
NEMA Rated "C" flange. 230/460V are open drip-proof design.
- **Shaft**
303 stainless steel construction.
- **Design**
3 to 15 HP, 3500 RPM, JM open drip-proof, continuous duty, three-phase and single-phase (5, 7½, 10 HP). 5 to 15 HP, 3500 RPM JMZ TEFC, continuous duty three-phase.
- **Bearings**
Double-shielded, single row, deep-groove type, permanently lubricated.
- **Thermal Overload Protection**
All models require external thermal overload protector.

Electrical

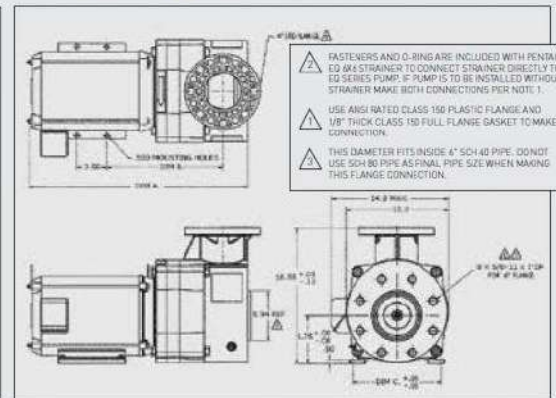
- **Power Supply Required**
Three-phase pumps are 208-230/460. 15HP TEFC motor is 230/460 only. Single-phase models are available in ODP 230v, 60 Hz only.

¹ Use ANSI Rated class 125 plastic flange and 1/8" thick class 125 full flange gasket to make connection.

EQ Series Commercial Pump
with Strainer Pot 6" x 4"



EQ Series Commercial Pump
without Strainer Pot



EQ Series Commercial Pump With Strainer Pot 6" x 4"

Part # ODP Motor	Part # TEFC Motor	Description	Voltage	Amps	Phase	HP	Wt	Dim. A-ODP	Dim. A-TEFC	Dim. B	Dim. C	Dim. D-ODP	Dim. D-TEFC
340026		EQW 300 WaterFall	115/230	38/19	1	3	126	26.62	N/A	10.03	7.5	43.590	N/A
340027		EQWK 300 WaterFall	208 - 230/460	8.4 - 7.9/3.9	3	3	106	23.12	N/A	10.16	7.5	40.094	N/A
340028		EQW 500 WaterFall	230	23.4	1	5	126	26.62	N/A	13.18	9.7	43.590	N/A
340029		EQWK 500 WaterFall	208 - 230/460	13.6 - 12.7/6.4	3	5	106	23.12	24.68	13.31	9.7	40.094	41.65
340030		EQ500	230	19.6	1	5	126	26.62	N/A	10.03	7.5	43.590	N/A
340031	340604	EQK500	208 - 230/460	13.5 - 12.3/6.2	3	5	106	23.12	24.68	10.16	7.5	40.094	41.65
340032		EQ750	230	30.4	1	7.5	161	27.53	N/A	10.78	8.5	44.590	N/A
340033	340605	EQK750	208 - 230/460	20.1 - 18.3/9.1	3	7.5	116	24.50	28.06	10.16	7.5	41.560	45.12
340034	340606	EQK1000	208 - 230/460	27.1 - 24.3/12.2	3	10	146	26.31	29.81	10.78	8.5	43.290	46.79
340035	340607*	EQK1500	208 - 230/460	40.0 - 36.0/17.8	3	15	161	26.31	28.31	10.78	8.5	43.290	45.29
340238		EQ1000	230	40.0	1	10	179	29.0	N/A	11.50	8.5	46.29	N/A

340013	Strainer Pot Assembly including Strainer, Lid, Basket and Hardware
--------	--

EQ Series Commercial Pump Without Strainer Pot 6" x 6"

Part # ODP Motor	Part # TEFC Motor	Description	Voltage	Amps	Phase	HP	Wt
340014		EQW 300 WaterFall	115/230	38/19	1	3	97
340016		EQWK 300 WaterFall	208 - 230/460	8.4 - 7.9/3.9	3	3	77
340017		EQW 500 WaterFall	230	23.4	1	5	97
340018		EQWK 500 WaterFall	208 - 230/460	13.6 - 12.7/6.4	3	5	77
340019		EQ500	230	19.6	1	5	97
340020	340608	EQK500	208 - 230/460	13.5 - 12.3/6.2	3	5	77
340021		EQ750	230	30.4	1	7.5	132
340022	340609	EQK750	208 - 230/460	20.1 - 18.3/9.1	3	7.5	87
340237		EQ1000	230	40.0	1	10	125
340023	340610	EQK1000	208 - 230/460	27.1 - 24.3/12.2	3	10	117
340024	340611*	EQK1500	208 - 230/460	40.0 - 36.0/17.8	3	15	132

*15 HP with TEFC option is 230/460 only.

EQ Series pumps are available in 575V and 50 Hz models. Please contact your local sales representative or Pentair office for details.