

# PUMPS



## “ESPA” Silen S2 Series Complete Set With Unions Made In Spain

### APPLICATIONS

- Recirculation and filtering of water of large swimming pools
- Silent
- Self-priming up to 4m.

### MATERIALS

- Pump body, foot, impeller, seal mounting, diffuser, suction and discharge in techno polymer
- Pump shaft in AISI 431.
- ESPA mechanical seal
- Motor casing in aluminum
- O-ring in NBR.

### MOTOR

- Asynchronous, 2 poles
- IP55 protection
- Class F insulation
- Thermal protection
- Continuous operation

### LIMITATIONS

- Maximum water temperature 40°C

### EQUIPMENT

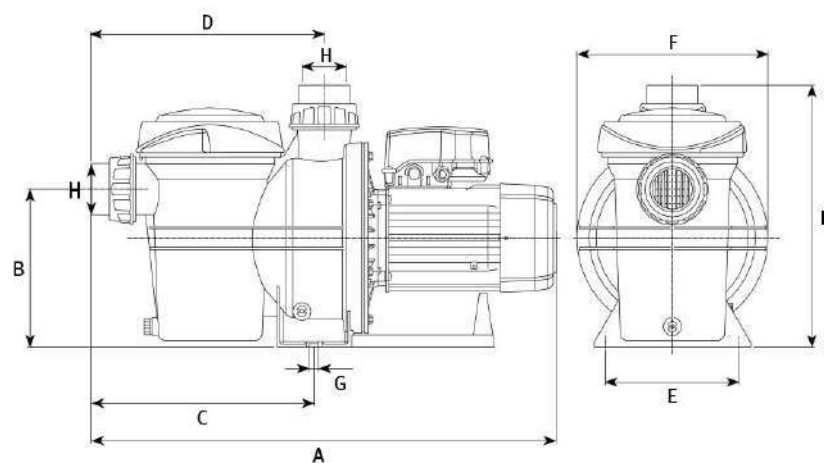
- No cable, no plug
- Imperial unions included 1.5”



Ultra-silent



Self-priming  
up to 4m

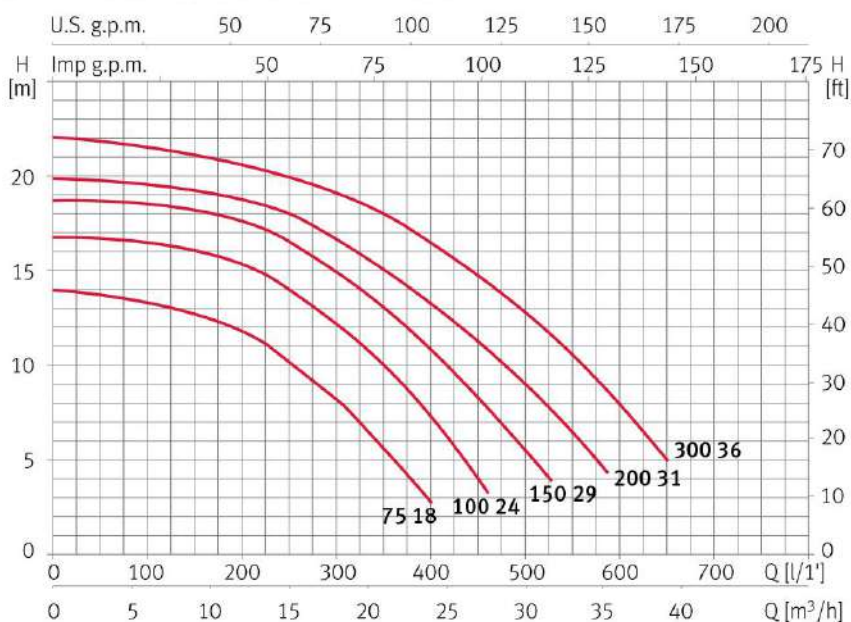


## Dimension and weight

| Model        | A   | B   | C   | D   | E   | F   | G   | H  | I   | Kg |
|--------------|-----|-----|-----|-----|-----|-----|-----|----|-----|----|
| Silen S2 75  | 624 | 222 | 272 | 285 | 188 | 268 | Ø13 | 63 | 327 | 14 |
| Silen S2 100 | 624 | 222 | 272 | 285 | 188 | 268 | Ø13 | 63 | 327 | 15 |
| Silen S2 150 | 624 | 222 | 272 | 285 | 188 | 268 | Ø13 | 63 | 327 | 18 |
| Silen S2 200 | 624 | 222 | 272 | 285 | 188 | 268 | Ø13 | 63 | 327 | 21 |
| Silen S2 300 | 624 | 222 | 272 | 285 | 188 | 268 | Ø13 | 63 | 327 | 23 |



## Performance curve at 2900 rpm



### Hydraulic performance table

| Model           | I [A]  |        |        | P1 [kW] |     | P2   |      | c [μF] | l/min<br>m³/h | 100  | 150  | 250  | 350 | 450  | 500  | 550  | 650 | Code   |             |
|-----------------|--------|--------|--------|---------|-----|------|------|--------|---------------|------|------|------|-----|------|------|------|-----|--------|-------------|
|                 | 1~230V | 3~230V | 3~400V | 1~      | 3~  | [kW] | [HP] |        |               | 6,0  | 9,0  | 15   | 21  | 27   | 30   | 33   | 39  | 1~230V | 3~230V/400V |
| Silen S2 75 18  | 4,5    | 3,8    | 2,2    | 1       | 1   | 0,55 | 0,75 | 25     | mwc           | 13,2 | 12,8 | 10   | 5,5 | -    | -    | -    | -   | 203155 | 203160      |
| Silen S2 100 24 | 7      | 4,8    | 2,8    | 1,5     | 1,6 | 0,9  | 1,2  | 25     |               | 16,5 | 16   | 14,2 | 10  | 4    | -    | -    | -   | 203156 | 203161      |
| Silen S2 150 29 | 8,5    | 5,3    | 3,1    | 1,9     | 1,9 | 1,1  | 1,5  | 25     |               | 18,5 | 18,2 | 16,5 | 13  | 8,2  | 5,5  | -    | -   | 203157 | 203162      |
| Silen S2 200 31 | 9,7    | 6,5    | 3,8    | 2,2     | 2,2 | 1,5  | 2    | 30     |               | 19,5 | 19,1 | 18   | 15  | 11,1 | 9    | 6,3  | -   | 203158 | 203163      |
| Silen S2 300 36 | 12,5   | 8,6    | 5      | 2,8     | 2,6 | 2,2  | 3    | 60     |               | 21,5 | 21   | 19,9 | 18  | 14,9 | 12,9 | 10,3 | 5   | 203159 | 203164      |

| Code        | Model              | In/Outlet (inches) | Flowrate (gpm) | Flowrate (m³/h) | Head (m) | Amp  | H.P. | Voltage | Phase |
|-------------|--------------------|--------------------|----------------|-----------------|----------|------|------|---------|-------|
| 20700530040 | Silen S2 75 (18m)  | 2                  | 66             | 15              | 10       | 2.5  | 0.75 | 220     | 1     |
| 20700530045 | Silen S2 75 (18)   | 2                  | 66             | 15              | 10       | 1.47 | 0.75 | 380     | 3     |
| 20700530050 | Silen S2 100 (24m) | 2                  | 92.4           | 21              | 10       | 3.39 | 1.0  | 220     | 1     |
| 20700530055 | Silen S2 100 (24)  | 2                  | 92.4           | 21              | 10       | 1.96 | 1.0  | 380     | 3     |
| 20700530060 | Silen S2 150 (29m) | 2                  | 114.4          | 26              | 10       | 5.0  | 1.5  | 220     | 1     |
| 20700530065 | Silen S2 150 (29)  | 2                  | 114.4          | 26              | 10       | 2.89 | 1.5  | 380     | 3     |
| 20700530070 | Silen S2 200 (31m) | 2                  | 123.3          | 28              | 10       | 6.8  | 2.0  | 220     | 1     |
| 20700530075 | Silen S2 200 (31)  | 2                  | 123.3          | 28              | 10       | 3.94 | 2.0  | 380     | 3     |
| 20700530080 | Silen S2 300 (36m) | 2                  | 149.6          | 34              | 10       | 10.0 | 3.0  | 220     | 1     |
| 20700530085 | Silen S2 300 (36)  | 2                  | 149.6          | 34              | 10       | 5.7  | 3.0  | 380     | 3     |