

# PUMPS



## “ESPA” Silen I Series Complete Set With Unions Made In Spain

### APPLICATIONS

- Recirculation and filtering of water of small pools
- Very quite-running (LWA 70-80dB)
- Self-priming up to 4m.

### MATERIALS

- Pump body, foot, impeller, seal mounting, diffuser, suction and discharge in techno polymer
- Pump shaft in AISI 431.
- ESPA mechanical seal
- Motor casing in aluminum
- O-ring in NBR

### MOTOR

- Asynchronous, 2 poles
- IP55 protection
- Class F insulation
- Thermal protection
- Continuous operation

### LIMITATIONS

- Maximum water temperature 40C

### EQUIPMENT

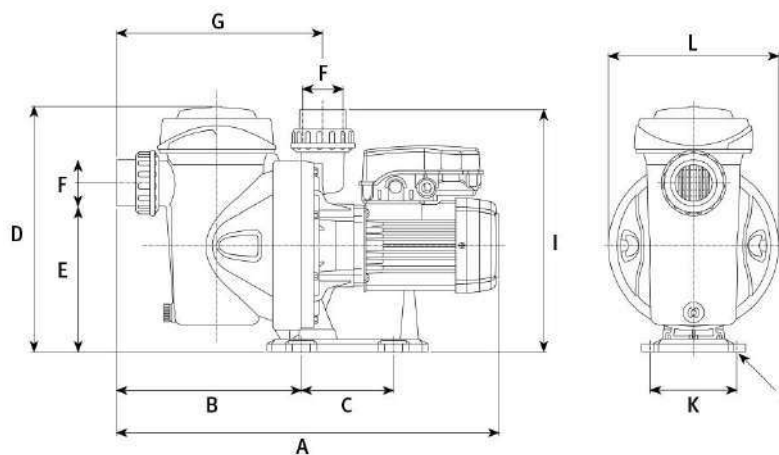
- No cable, no plug
- Imperial unions included 1.5”



Ultra-silent



Self-priming  
up to 4m

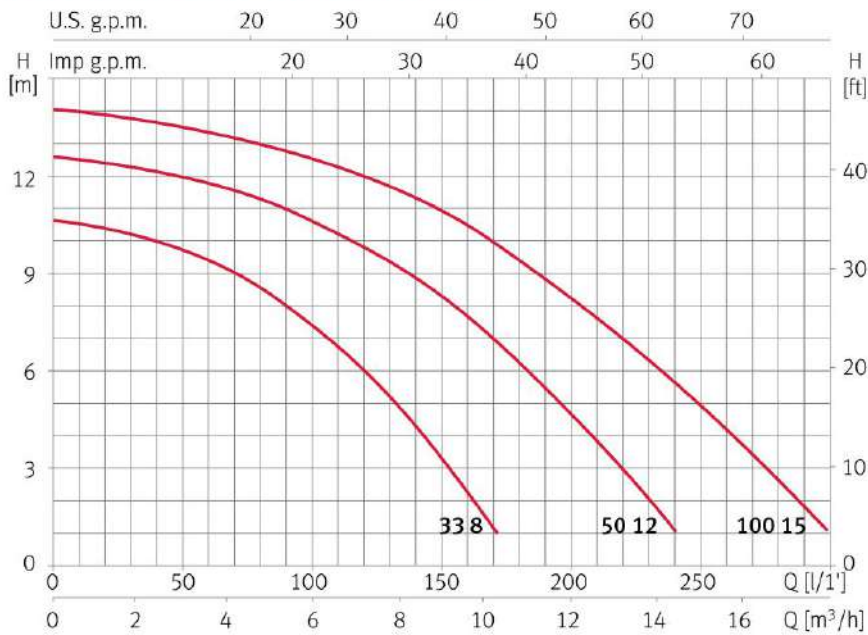


## Dimension and weight

Model	A	B	C	D	E	F	G	I	J	K	L	Kg
Silen   33	439	192	115	304	210	50	221	264	Ø9	108	212	8,9
Silen   50	439	192	115	304	210	50	221	264	Ø9	108	212	10,2
Silen   100	439	192	115	304	210	50	221	264	Ø9	108	212	10,9



**Performance curve at 2900 rpm**



**Hydraulic performance table**

Model	I [A]	P1 [kW]	P2		c [µF]	l/min	25	50	75	100	150	200	250	290	Code
	1~230V	1~	[kW]	[HP]		m³/h	1,5	3,0	4,5	6,0	9,0	12	15	17,4	
Silen I 33.8	2	0,45	0,25	0,33	12	EMC	10,2	9,7	8,6	7,2	3,2	-	-	-	203144
Silen I 50.12	2,8	0,65	0,37	0,5	12		12,3	11,9	11,3	10,5	8,1	4,6	-	-	203145
Silen I 100.15	3,8	0,85	0,75	1	12		13,8	13,3	13	12,5	10,8	8,1	4,8	1,8	203146

Code	Model	In/Outlet (inches)	Flowrate (gpm)	Flowrate (m³/h)	Head (m)	Amp	H.P.	Voltage	Phase
20700530005	Silen I 33	1.5	11	2.5	10	1.11	0.33	220	1
20700530010	Silen I 50	1.5	30.8	7	10	1.69	0.5	220	1
20700530015	Silen I 100	1.5	46.2	10.5	10	3.4	1.0	220	1