

PUMPS

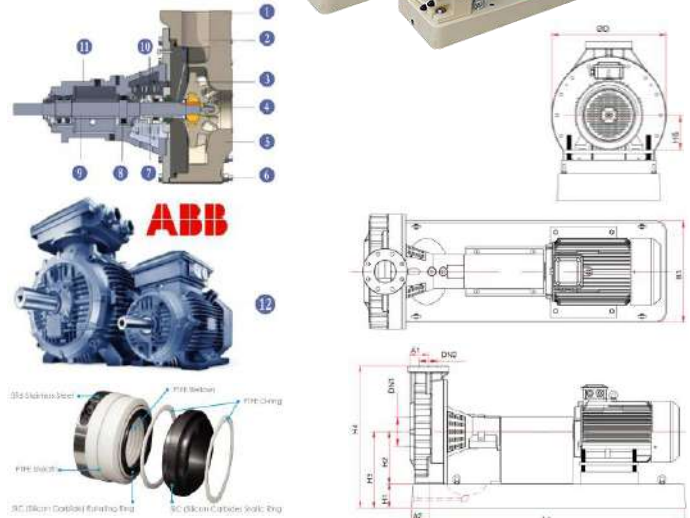


“EMAUX” SWP Series Corrosion Resistant FRP Pump



FEATURES

1. Complies with European DIN Standard
2. Smooth hydraulic passages to increase pump efficiency
3. Tapered polygon impeller provides good capacity and greater efficiency
4. Externally adjustable impeller clearance provides ease of maintenance and maximum efficiency
5. All wetted parts in either Vinyl Ester Epoxy Resin provide better chemical resistance
6. Casting through bolts maintain casing o-ring seal integrity under all hydraulic operating conditions
7. Integral Shaft Sleeve Design protects the pump Shaft from exposure to the process fluid
8. Large capacity Swedish made SKF bearing ensure long operation life
9. Heavy-duty shaft minimizes deflection to maximize mechanical seal life
10. External type AISI-316L mechanical seal for highly corrosive fluids, static and rotating ring in SiC and Spring
11. Polyester thermosetting powder coated power frame construction to prevent external corrosion
12. Coupled to ABB Motor. Optional earthing rings or insulated bearings to prevent bearing erosion when installing with VFD.



Product Dimensions

Body (Motor - HP)	L1	B1	H1	H2	H3	H4	H5	DN1 (inch / mm)	DN2	GD	A1 (mm)	A2
100 x 80	1200	420	100	210	310	590	112	4"100	3"80	458	102	78
150 x 80	1200	420	100	210	310	590	112	4"100	3"80	458	102	78
150 x 100	1450	480	100	254	354	697	132	6"150	4"100	540	102	78
150 x 100	1450	480	100	254	354	697	180	6"150	4"100	540	102	78
200 x 150	1830	570	100	388	488	874	180	8"200	6"150	700	152	93
200 x 150	1830	570	100	388	488	874	180	8"200	6"150	700	152	93
300 x 250	2932	600	100	457	557	1217	280	12"300	10"250	1003	197	203

Code	Model	Inlet x Outlet x Impeller Dia (mm)	RMP	H.P.	Voltage	Phase	Retail Price	Code✕
20700510350	SWP550-6P✕	150 x 100 x 250	950	5.5	380	3	650,000.00	B
20700510355	SWP750-6P✕	150 x 100 x 270mm	950	7.5	380	3	670,000.00	
20700510360	SWP1000-6P✕	200 x 150 x 270mm	950	10.0	380	3	890,000.00	
20700510365	SWP1500-6P✕	200 x 150 x 300mm	950	15.0	380	3	940,000.00	
20700510370	SWP6000-6P✕	300 x 250 x 405mm	950	60.0	380	3	T.B.C.	
20700510375	SWP550-4P✕	100 x 80 x 205mm	1450	5.5	380	3	580,000.00	
20700510380	SWP750-4P✕	100 x 80 x 220mm	1450	7.5	380	3	600,000.00	
20700510385	SWP1000-4P✕	150 x 100 x 225mm	1450	10.0	380	3	650,000.00	
20700510390	SWP1500-4P✕	150 x 100 x 250mm	1450	15.0	380	3	720,000.00	
20700510395	SWP2000-4P✕	200 x 150 x 250mm	1450	20.0	380	3	920,000.00	
20700510400	SWP2500-4P✕	200 x 150 x 265mm	1450	25.0	380	3	950,000.00	
20700510405	SWP3000-4P✕	200 x 150 x 280mm	1450	30.0	380	3	990,000.00	
20700510410	SWP4000-4P✕	200 x 150 x 295mm	1450	40.0	380	3	T.B.C.	
20700510415	SWP5000-4P✕	200 x 150 x 310mm	1450	50.0	380	3	T.B.C.	
20700510420	SWP6000-4P✕	200 x 150 x 325mm	1450	60.0	380	3	T.B.C.	
20700510425	SWP1000-2P✕	100 x 80 x 155mm	2900	10.0	380	3	600,000.00	
20700510430	SWP1500-2P✕	100 x 80 x 170mm	2900	15.0	380	3	650,000.00	
20700510435	SWP2000-2P✕	100 x 80 x 190mm	2900	20.0	380	3	670,000.00	
20700510440	SWP2500-2P✕	100 x 80 x 200mm	2900	25.0	380	3	690,000.00	
20700510445	SWP3000-2P✕	100 x 80 x 215mm	2900	30.0	380	3	720,000.00	

✕ สินค้าไม่มีสต็อก กรุณาสั่งล่วงหน้า 90 วัน / No Stock, Delivery Time 90 Days