

# DISINFECTION SYSTEMS



## “EMAUX” SSC-One Series Salt Chlorinators With Automatic pH Feeder

### ONE-TOUCH MULTI-FUNCTIONAL CHLORINATOR

For residential and semi-commercial pools Salt chlorinated pools are among the best to enjoy a comfortable bath, but such systems tend to raise pH. With SSCone you get the right solution: its automatic dosing pump injects acid to achieve the proper pH balance, obtaining the most efficient chlorine generated by the Emaux cell. No harmful by-products. It is programmed automatically.

### HIGHLIGHT FEATURES

- Timer for pump and cell programmable control.
- Direct power function
- Boost button, sets the system in super chlorination, 100% power for 24 hours.
- Visual pH reading, and easy set-up.
- Capacitive touch buttons control panel.
- Switch reverse polarity to the needed time depending on water hardness to minimize cell scaling. Every 4 or 8 or 12 hours.
- Fully automatic or manual.
- Winter mode reduce power to 30%

### ACCESSORIES



pH Probe



pH Buffer

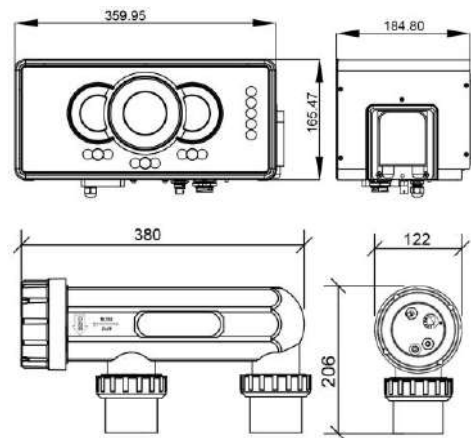


RoHS  
COMPLIANT  
2011/65/EU



SAA

### Product Dimensions and Technical Information



Model	Input Voltage/ Frequency	Salt Level	Cell Output	Maximum Pool Size	Cell Connections
SSCone	110-230V / 50-60Hz	2500ppm	Up to 50gr/hr	Up to 150,000 Liters	1.5" / 50mm or 2" / 63mm

Standard Range of Salt Level in the Pool : 2500 ppm

Commissioning Pool : Salt quantity is 2.5 Kg/m<sup>3</sup>

Maintenance Pool to maintain CL level at 1.5-2 ppm: Salt quantity is 2.5 Kg/m<sup>3</sup>

Code	Model	Water Capacity (m <sup>3</sup> )	Gram/Hour	Power Consumption (Watts)
20900510115	SSC-One	150	Up to 50	260