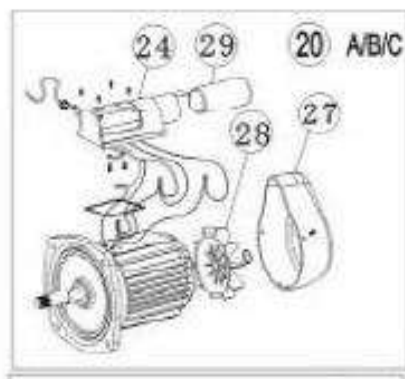
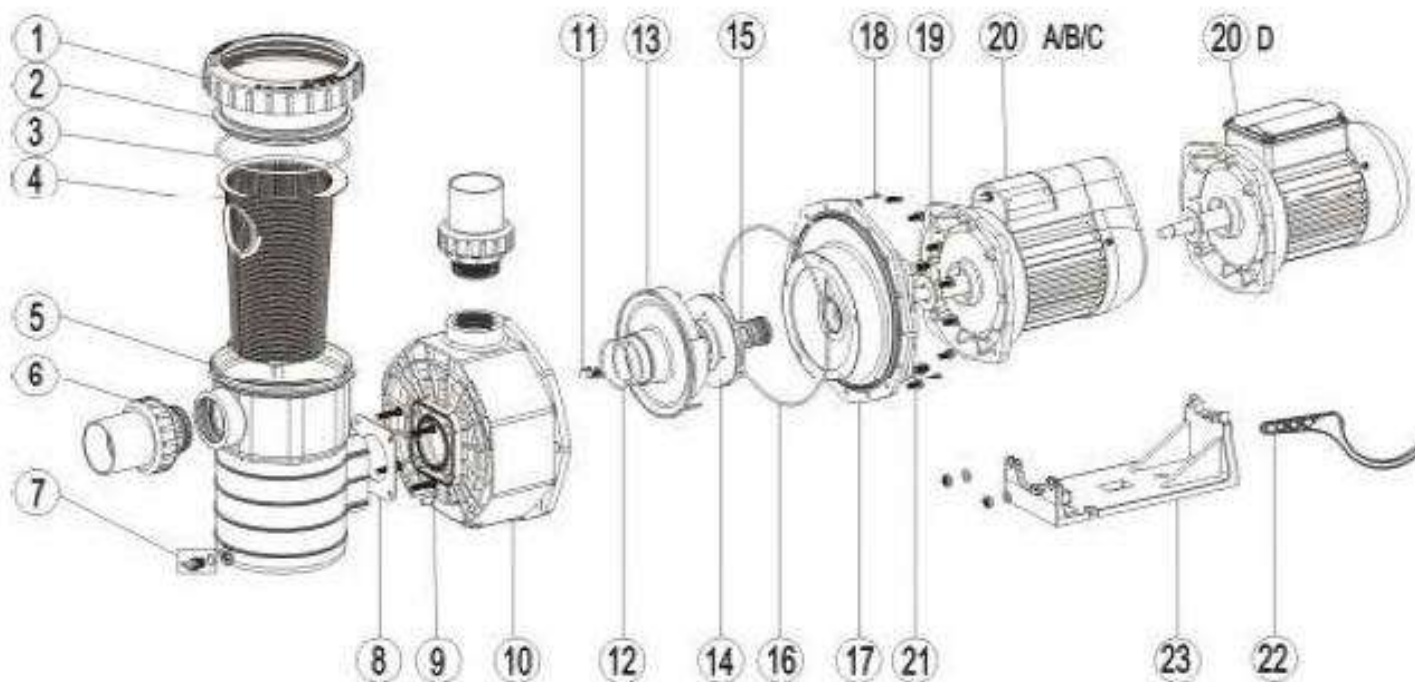
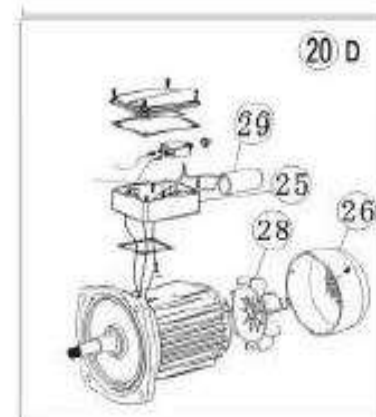


SB Series - Swimming Pool Pump



Model	Code	Code
Spec	220V/50HZ	380V/50HZ
SB10	88021305	88021605
SB15	88021307	88021607
SB20	88021308	88021608
SB30	88021309	88021609



Key NO.	Notes	Part Number	Product Description	No of Parts Required
1		01021008	Nut for lid	1
2		01041022	Transparent Lid	1
3		02011085	O-Ring for lid	1
4		01111030	Basket	1
5		89021305	Pre-filter body	1
6		89021306	2.0"Union	2
7		89021307	Drain Plug With O-ring	1
8		02011115	Square gasket	1
9		03011083	M6*30 Screw for pump body	4
10		89021308	SB Pump body	1
11		89021309	Screw for impeller with O-ring	1
12		02011108	O-Ring for diffuser	1
13		01111015	Diffuser	1
14	220V/50HZ	01311004	Impeller SB10(220V/50HZ)	1
		01311005	Impeller SB15(220V/50HZ)	1
		01311003	Impeller SB20(220V/50HZ)	1
		01311006	Impeller SB30(220V/50HZ)	1
	380V/50HZ	01311004	Impeller SB10(380V/50HZ)	1
		01311005	Impeller SB15(380V/50HZ)	1
		01311003	Impeller SB20(380V/50HZ)	1
		01311006	Impeller SB30(380V/50HZ)	1
15		04015001	3/4" Mechanical seal	1
16		02011093	O-Ring for flange	1
17		01021013	SB Pump Flange	1
18		03011080	M6×15 Hexagonal Bolt	16
19	SB10;SB15	02011099	Motor Slinger for SB10;SB15	1
	SB20;SB30	02011101	Motor Slinger for SB20;SB30	1

20	A. 220V/50HZ	89021301	Motor SB10(220V/50HZ)	1
		89021302	Motor SB15(220V/50HZ)	1
		89021303	Motor SB20(220V/50HZ)	1
		89021304	Motor SB30(220V/50HZ)	1
	C. 380V/50HZ	89021601	Motor SB10(380V/50HZ)	1
		89021602	Motor SB15(380V/50HZ)	1
		89021603	Motor SB20(380V/50HZ)	1
		89021604	Motor SB30(380V/50HZ)	1
21		89021310	M8*20 Bolt for motor with washer	4
22		01021021	Opening key	1
23	SB10;SB15	01111032	Base with nut & washer for SB10;SB15	1
	SB20;SB30	01111031	Base with nut & washer for SB20;SB30	1
24	220V/50HZ 220V/60HZ 380V/50HZ	89021312	Cable Box for SB Pump 220V/50HZ;220V/60HZ;380V/50HZ.	1
25	110V/60HZ	89021505	Cable Box for SB Pump 110V/60HZ	1
26	110V/60HZ	01031001	Fan Cover for SB20,SB30 Pump	1
		01031002	Fan Cover for SB10,SB15 Pump	1
27	220V/50HZ	01031008	Fan Cover for SB20,SB30 Pump	1
	220V/60HZ 380V/50HZ		01031009	Fan Cover for SB10,SB15 Pump
28		01031007	Cooling fan for SB10,SB15 Pump	1
		01031006	Cooling fan for SB20,SB30 Pump	1
29	220V/50HZ 220V/60HZ	04016014	Capacitor for SB10,SB15 Pump	1
		04016015	Capacitor for SB20 Pump	1
		04016016	Capacitor for SB30 Pump	1
	110V/60HZ	04016022	Capacitor for SB10,SB15 Pump	1
		04016023	Capacitor for SB20,SB30 Pump	1