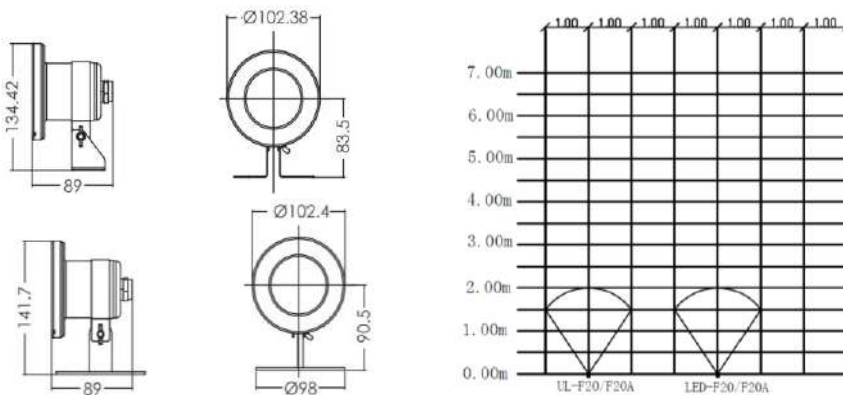


## “EMAUX” F20A Series For Fountain Pool Halogen & LED Underwater Lights Built-In & Stand Type

### Features

- Material : AISI Stainless steel 304
- Cable 2.5 meters
- Waterproof: IP68
- Installation: Floor Mounted with Housing type



**Cable 2.5 Meter / Waterproof Standard: IP68**

Code	Model	Material	Bulb Type	W/V	LUX	Colour
21100510330	UL-F20A	S.S.304 with stand	Halogen	20W/12V	1039	White

Code	Model	Material	Bulb Type	W/V	LUX	Colour
21100510335	LED-F20A-CW	S.S.304 with stand	MR16 – 18 Bulbs LED Panel	1W/12V	80	Cool white

Code	Model	Material	Bulb Type	W/V	LUX	Colour
21100510340	LED-F20A-RGB	S.S.304 with stand	MR16 – 18 Bulbs LED Panel	1W/12V	130	Auto Colour Change