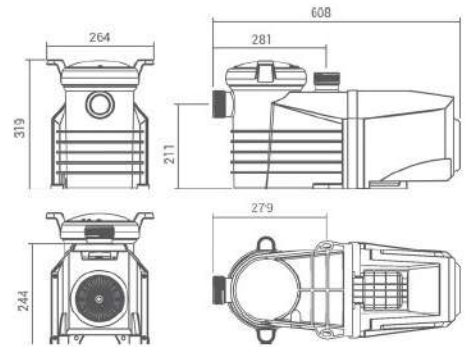
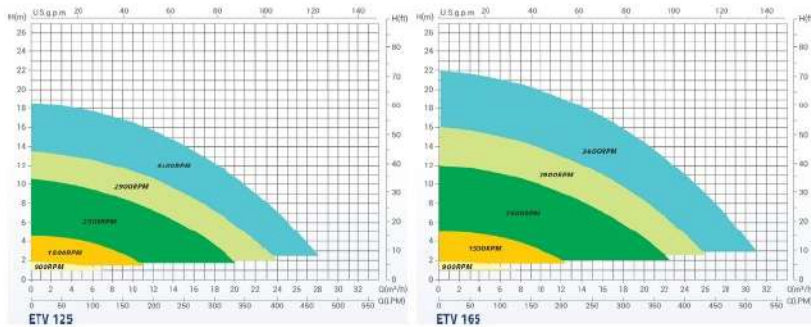


“EMAUX” E-Turbo Series Variable Speed Pumps For Residential Pool and Spa

SPECIFICATION

- Permanent Magnet Motor (PMM)
- Retro-Fit Replacement
- 3L Strainer Basket
- 316 Stainless Steel Shaft
- 316 Stainless Steel Mechanical Seal
- 1.5"/2.0" Union Connection
- IPX5 Waterproof Standard



Model: ETV 125

RPM	900 RPM	1500 RPM	2500 RPM	2900 RPM
Power Input (w)	40	110	410	610
Current (amp)	0.3	0.5	0.8	2.6
Flow Rate (m ³ / h)	7.9	11.2	19.8	23.1
Flow Rate (l / h)	131.6	186.6	330.5	385.8
Efficiency (Liters per watt)	197.5	101.8	48.3	37.9

Model: ETV 165

RPM	900 RPM	1500 RPM	2500 RPM	2900 RPM
Power Input (w)	50	130	505	850
Current (amp)	0.3	0.6	2.2	3.8
Flow Rate (m ³ / h)	6	12.4	22	25
Flow Rate (l / h)	101.1	206.6	367.5	416.6
Efficiency (Liters per watt)	121.4	95.3	43.6	29.4

Code	Model	In/Outlet (inches)	Head (m)	Noise (dB)	H.P.	V	Phase
20700510520	ETV125	1.5 / 2	10	70	1.25	220	1
20700510525	ETV165	1.5 / 2	10	72	1.65	220	1